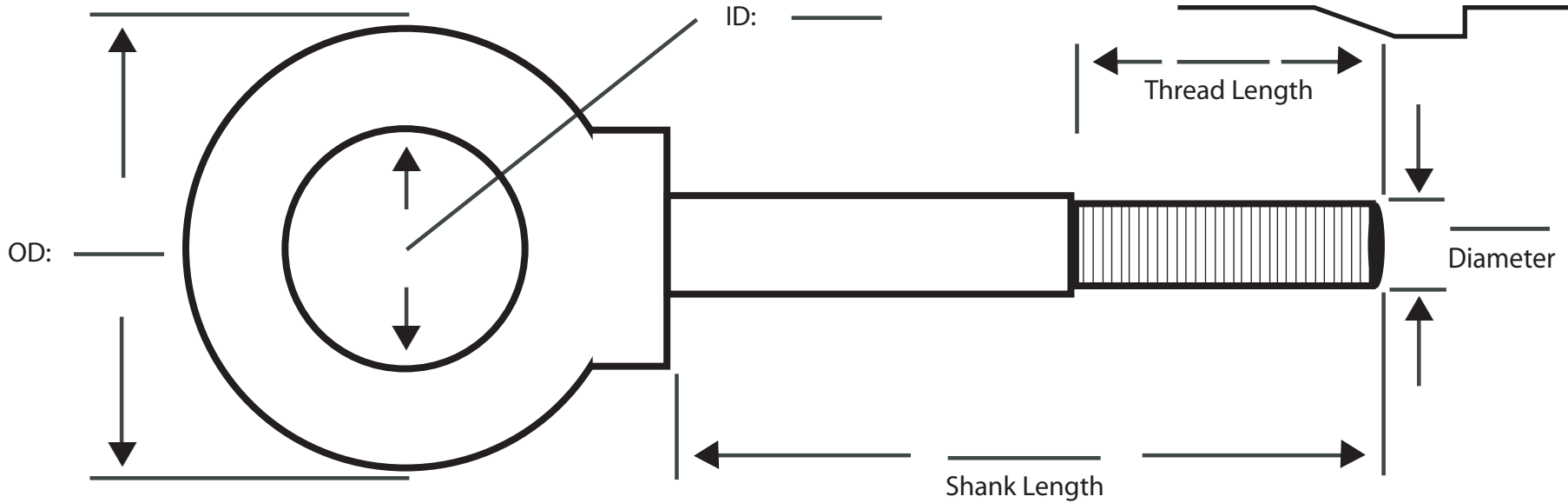


SHOULDER PATTERN EYE BOLT



Thread Type: _____
(UNC, UNF, ACME, Metric/Pitch, etc.)

Special Services: _____

Finish: _____

Material: _____ 1030-1045 Carbon Steel

Heat Treating: _____

_____ 304 Stainless Steel

Packaging: _____

Other Requirements: _____

Customer Approval: _____ (signature)

Name: _____

Title: _____

Today's Date: _____

Date Required: _____

AZ Lifting Hardware

7150 W Roosevelt St. C101

Phoenix AZ 85043

PH: 888.936.1466 FAX: 623.936.8909

sales@azliftinghardware.com

1. All prints must be signed and approved before production begins.
2. Specials cannot be returned unless the fault of AZLH.